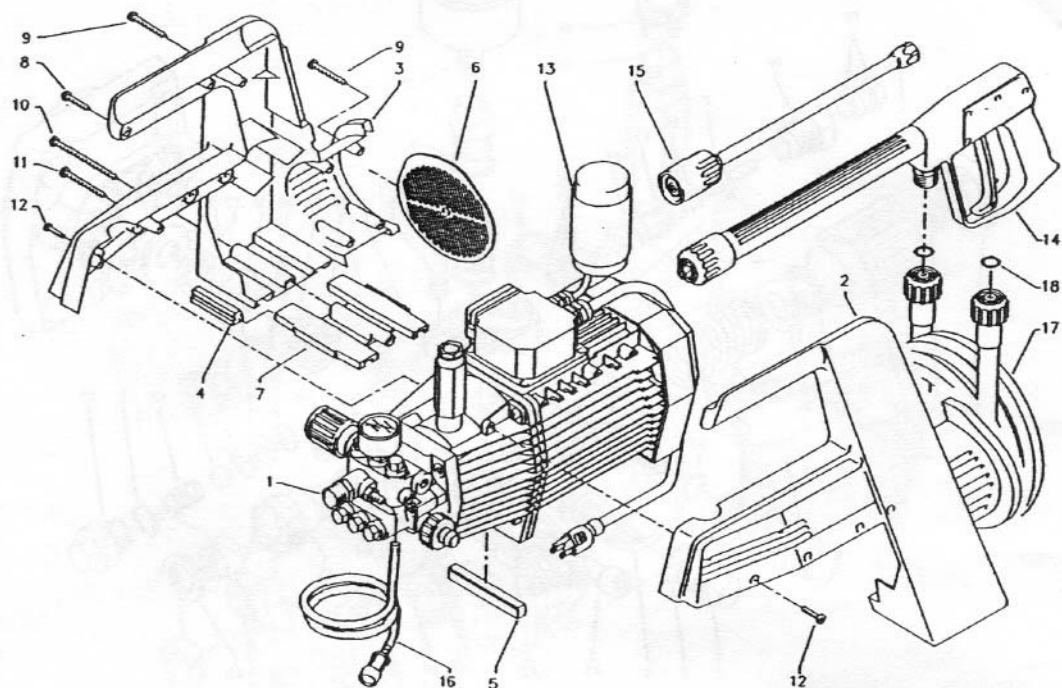


# Complete Assembly



No.	Description	Qty.	Order No.
1	Motor, compl. with oil enclosure and fan wheel without switch	1	43.101
2	Enclosure half, right	1	43.013 1
3	Enclosure half, left	1	43.014 1
4	Rubber damper, small	4	43.015
5	Rubber damper, large	1	43.016
6	Fan cover	1	43.017
7	Motor cover plate	1	43.012
8	Synthetic screw 4,8 x 20	2	43.018
9	Synthetic screw 4,8 x 50	5	41.411
10	Synthetic screw 4,8 x 100	1	43.309
11	Flat head screw 3 x45	1	43.020
12	Self-tapping screw 4,8 x 13	8	44.112
13	Foam tube	1	41.418
14	Pistol grip with extension	1	41.053 1
15	Lance compl. with regulator nozzle and HD nozzle 25045	1	43.440
16	Chemicals suction hose with filter	1	15.038
17	Polypenco hose 150 bar	1	41.054 1
18	O-ring 9,3 x 2,4	2	13.273