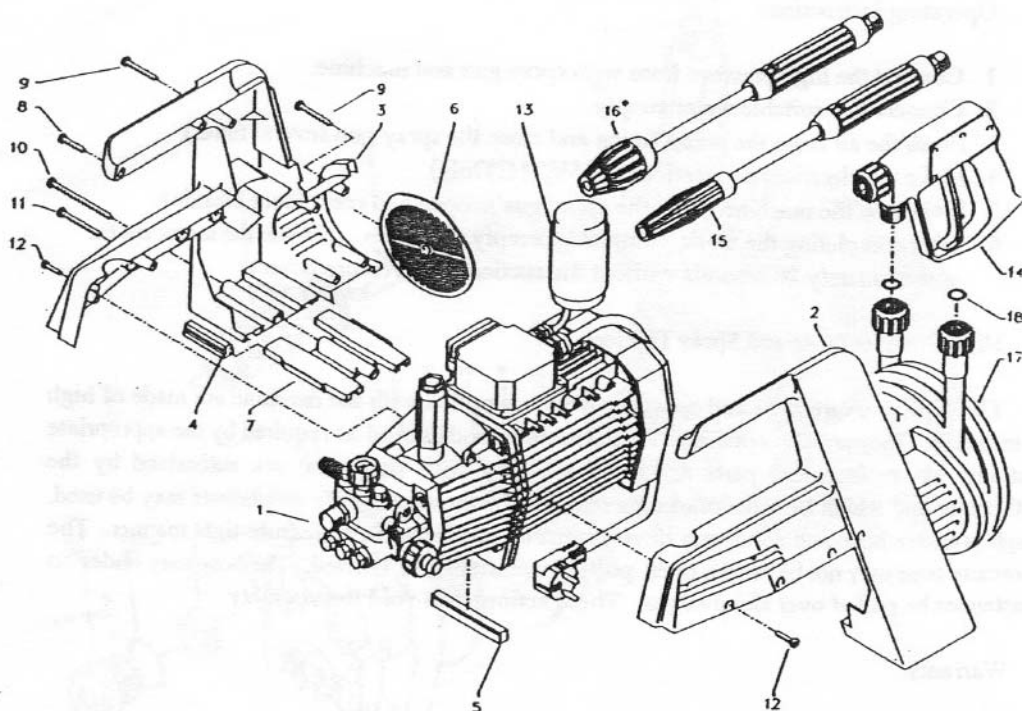


Complete Assembly



No.	Description	Qty.	Order No.
1	Motor, complete with oil enclosure and fan wheel without switch	1	43.090
2	Enclosure half, right	1	43.086
3	Enclosure half, left	1	43.087
4	Rubber damper, small	4	43.015
5	Rubber damper, big	1	43.016
6	Fan cover	1	43.017
7	Motor support	1	43.012
8	Synthetic screw 4.8 x 16	2	43.018
9	Synthetic screw 4.8 x 50	5	41.411
10	Synthetic screw 4.8 x 90	1	43.019
11	Countersunk head screw 3 x 45	1	43.020
12	Self-tapping screw 4.8 x 16	8	43.021
13	Foam tube	1	41.418
14	Pico spray gun, slight type, without extension	1	43.092
15	Vario-Jet 03 with insulating handle 150 mm	1	43.093
16	Dirtkiller 03 with insulating handle 150 mm (special accessories)	1	43.094
17	Hose, Polypenco 150 bar	1	41.054 1
18	O-ring 9.3 x 2.4	2 ^s	13.273