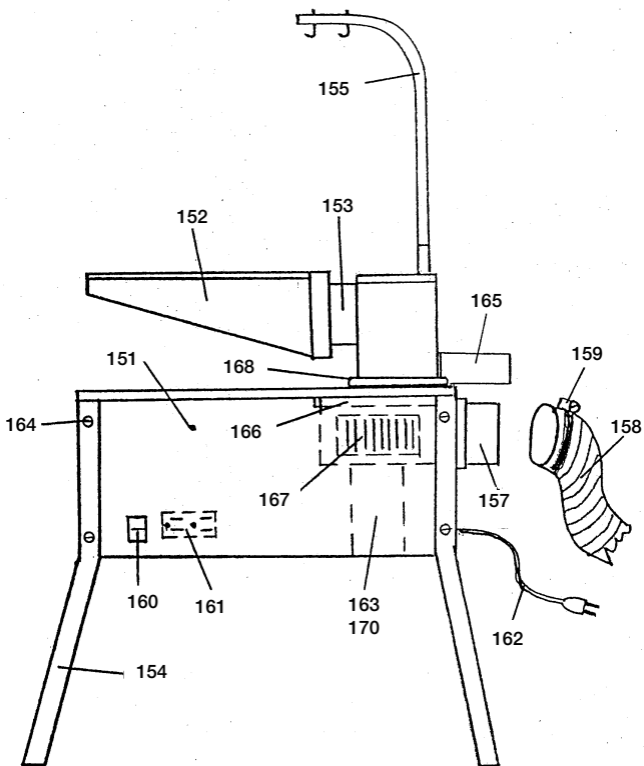


SUPERKLEEN VENTA-2





ALBATROSS®

EFFECTIVE: July 15, 1998

36-41 36th Street, P.O. Box 6204, Long Island City, New York 11106
(718) 392-6272 1-800-233-4468 Fax: (718) 392-2899

PARTS LIST FOR SUPERKLEEN VENTA-2

<u>ALBATROSS #</u>	<u>DESCRIPTION</u>	<u>MODEL</u>
151	Main Housing (Bottom & Cover)	Venta-2
152	Pivoting Arm with Screen	Venta-2
153	Plastic Swivel Assembly Set	Venta-2
154	Leg	Venta-2
155	Gun Holding Pole, Top	Venta-2
156	Gun Holding Pole, Bottom	Venta-2
157	Exhaust Adapter with Screen	Venta-2
158	Exhaust Hose Aluminum	Venta-2
159	Hose Clamps, Plastic	Venta-2
160	Main Switch	Venta-2
161	Gun Receptacle	Venta-2
162	Electric Cord w/Plug	Venta-2
163	Vacuum Unit, Motor/Blower (110V, 60Hz)	Venta-2
164	Legs Securing Bolts	Venta-2
165	Holding Tray, Aluminum	Venta-2
166	Collector Tray	Venta-2
167	Blower Wheel	Venta-2
168	Lint Filter	Venta-2
170	Motor/Blower (220V, 50Hz)	Venta-2