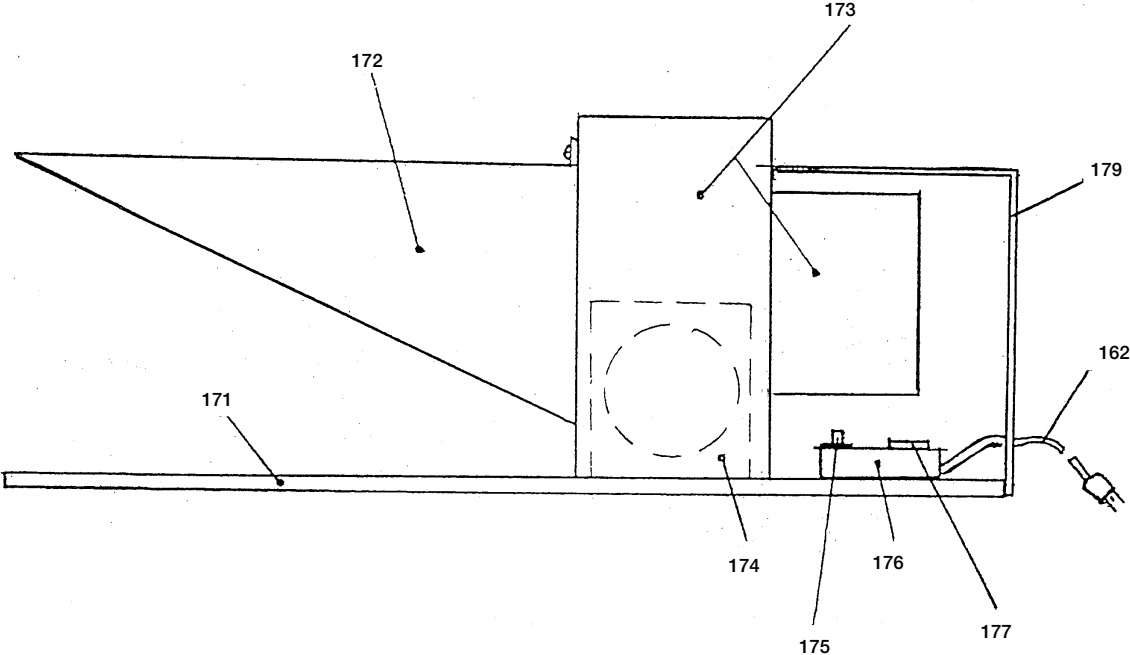


# SUPERKLEEN VENTA-1





# ALBATROSS®

EFFECTIVE: July 15, 1998

36-41 36th Street, P.O. Box 6204, Long Island City, New York 11106  
(718) 392-6272 1-800-233-4468 Fax: (718) 392-2899

## PARTS LIST FOR SUPERKLEEN VENTA-1

<u>ALBATROSS #</u>	<u>DESCRIPTION</u>	<u>MODEL</u>
158	Exhaust Hose Aluminum	Venta-1
162	Electric Cord w/Plug	Venta-1
171	Base Board	Venta-1
172	Intake Manifold with Screen	Venta-1
173	Blower Assembly	Venta-1
174	Exhaust Adapter with Screen	Venta-1
175	Main Switch	Venta-1
176	Control Assembly	Venta-1
177	Receptacle	Venta-1
179	Motor Cover	Venta-1