

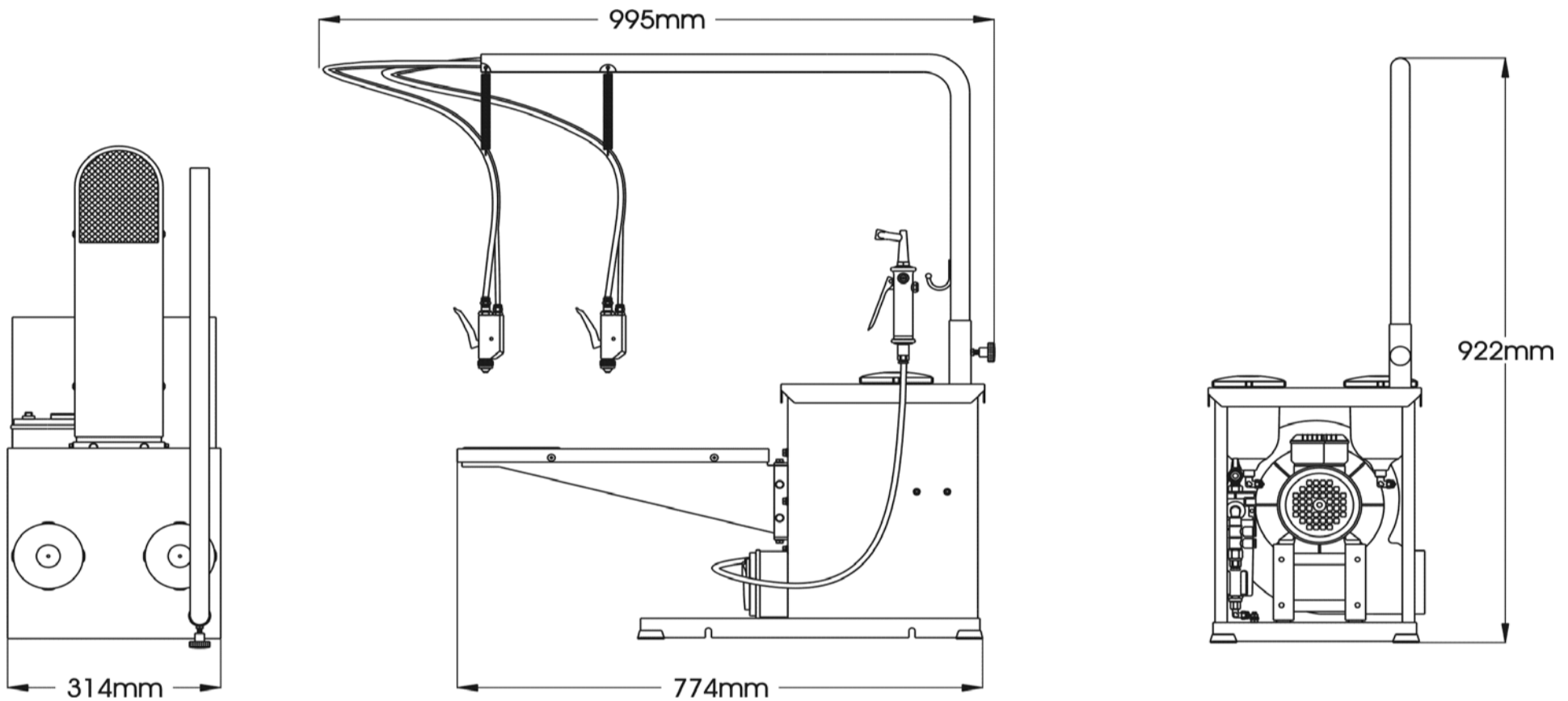
HydroSolv Jr.

HydroSolv Jr.

POS.	DESCRIPTION	COD. No	POS.	DESCRIPTION	COD. No
1	FEET	11.15021.1	17	SET S.S.MESH-S.S.PLATE-PLA.RIM FOR BIG ARM	11.18062
2	AIR INPUT COCK	01.18042	18	S.S.MESH FOR BIG ARM	11.15035
3	"RSC" FILTER	10.15014	19	S.S.PLATE FOR BIG ARM	11.16020
4	AKULON CONTAINER COMPLETE W/FITTING	11.15048	20	PLASTIC RIM FOR BIG ARM	11.15005.4
5	SINGLEPHASE VACUUM	05.20003	21	RILSAN HOSE 8X6 FOR ST/1	11.15054.BABY
6	MOTOR FAN COVER	05.20007	22	RILSAN HOSE 6X4 FOR ST/1	11.15055.BABY
7	COOLING FAN	05.20006	23	SPRAYING GUNS SUPPORT	07.15050.BABY
8	VACUUM MOTOR	24.18029	24	S.STEEL SPRING FOR SPRAYING GUN	11.15024
9	Ø 20 CM SUCTION FAN	05.20005	25	SPRAY GUN ST/1	11.17085
10	BLACK NYLON HOUSING	05.20013	26	DRYING GUN	11.17071
11	ELECT.BOX COMPL. SINGLEPHASE, MANUAL SWITCH	11.30020.M	27	S.STEEL BIG ARM	11.21080
12	MANUAL SWITCH	06.20021	28	ENAMELED TABLE FRAME	07.15051.BABY
13	ELECTRIC SOCKET	06.20206.P	29	ELASTOLLAN HOSE 8X6 FOR DRYING GUN	11.15053.BABY
14	PLASTIC BOX FOR MANUAL SWITCH	06.20104	30	HOOK FOR DRYING GUN	12.18049
15	MOTOR SUPPORT	07.20101.2			

HydroSolv Jr. Dimensions

TAB. 1



HydroSolv Jr.

TAB. 2

