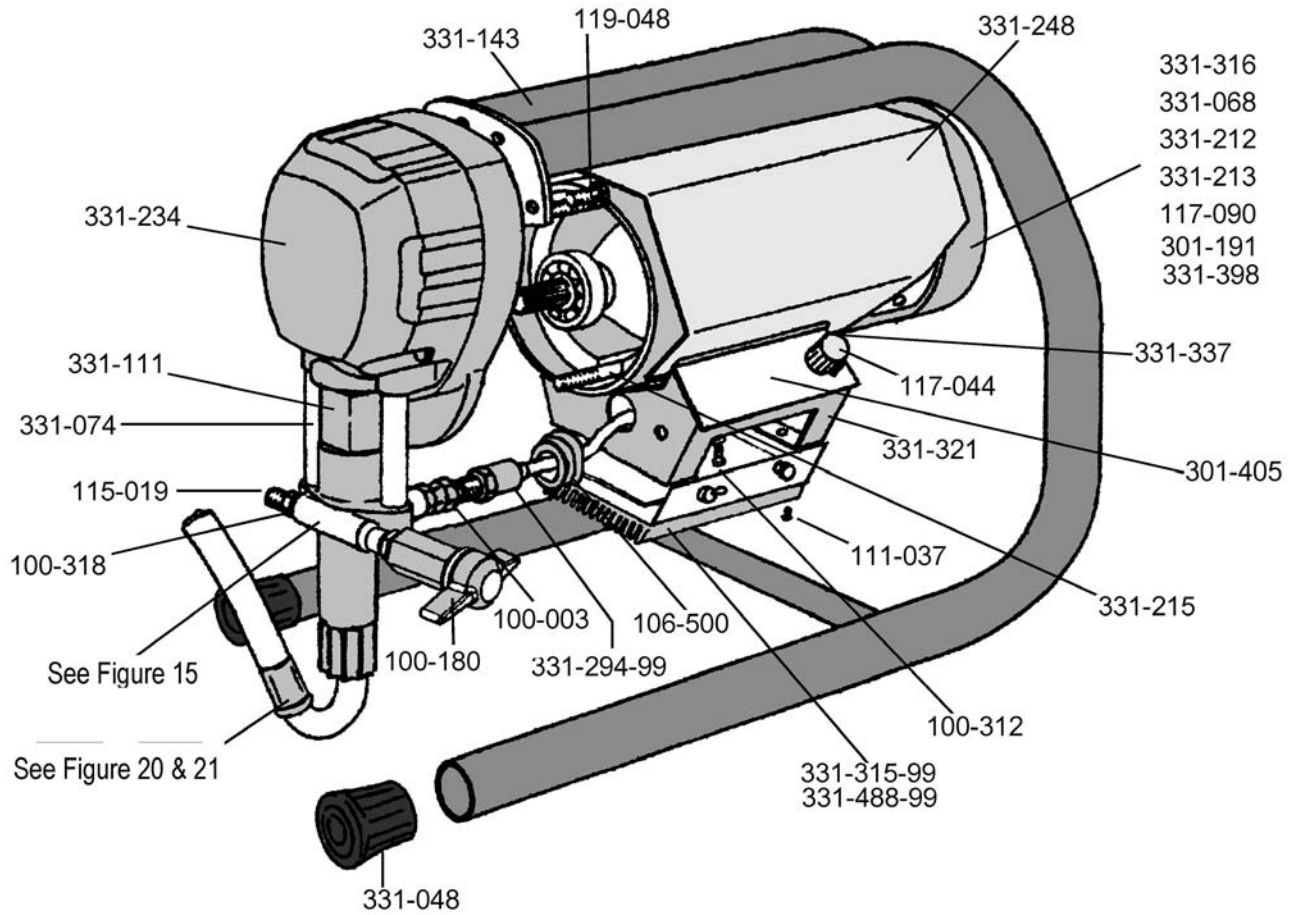


CARRY FRAME MODELS

FIGURE 17



Part Number	Description	Part Number	Description
100-003	Swivel	331-111	Shield
100-180	Prime P/R Valve	331-143	Frame
100-312	Screw (4)	331-212	Fan
100-318	Screw (2)	331-213	Fan Cover
106-500	Sensor Seal	331-215	Screw (LP 5/6 only)
111-037	Screw (4)	331-234	Cover
115-019	Hose Connector (1/4 NPSXNPT)	331-248	Cover (some models)
117-044	Knob	331-294-99	Sensor
117-090	Fan Cover Screws (3)	331-315-99	Press. Ass'y (5/6 Series)
119-048	Screw (4)	331-316	.6 HPDC Motor (4 series)
301-191	Fan Retaining Clip	331-321	Terminal Box
301-405	Blank Plate for LCD Panel	331-337	Rubber Edge (2)
331-048	Rubber Boot (2)	331-398	Motor Brush (2)
331-068	.8 HPDC Motor (5/6 Series)	331-488-99	Press. Ass'y (4 Series)
331-074	Tube Spacer (2)		