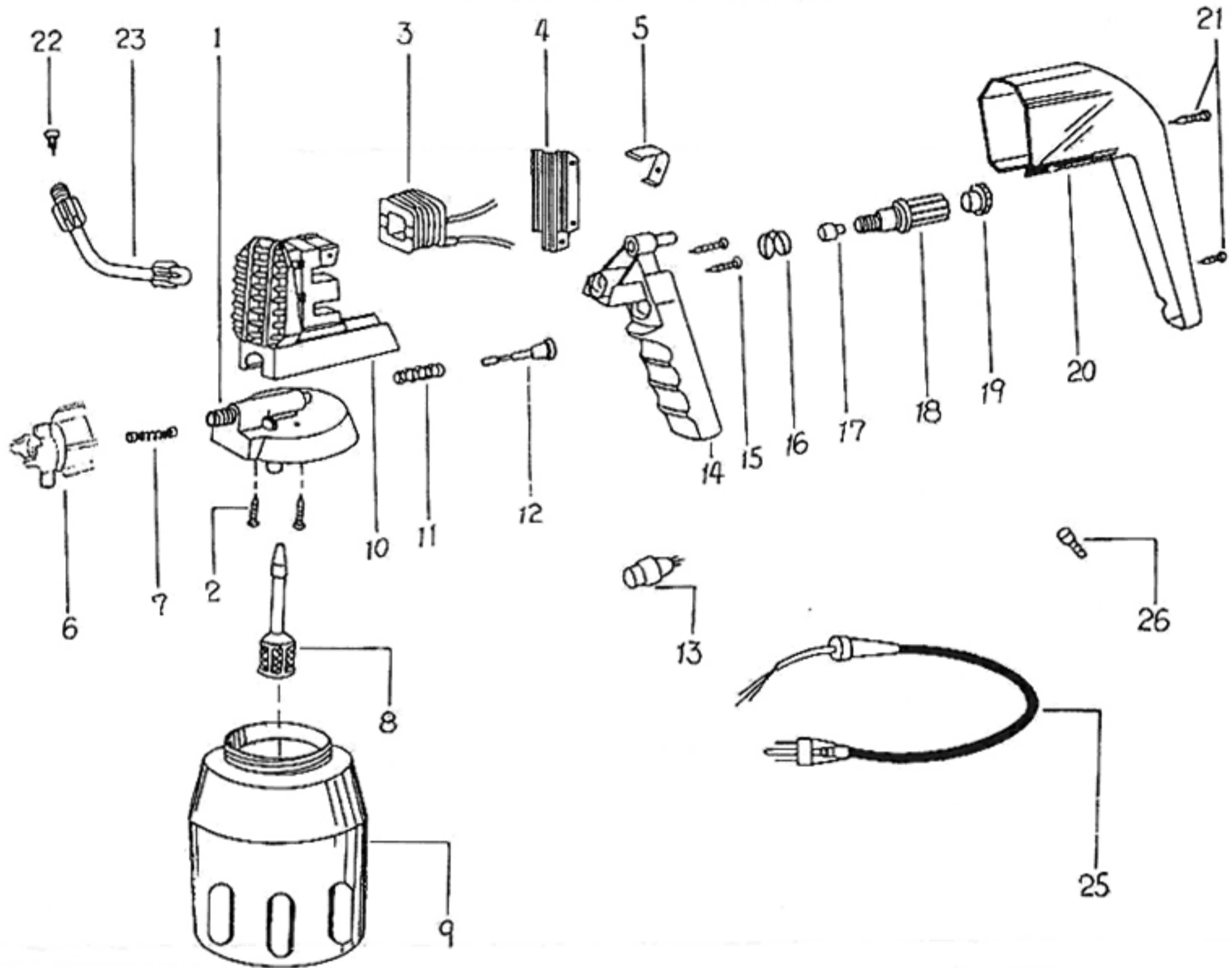


# EXPERT™ AG 3000

## SPARE PARTS LIST



POSITION	DESCRIPTION	PART#
1	PUMP HOUSING/CYLINDER	#6610
2	PUMP SCREW	#6611
3	COIL 110v/60 Hz	#6612
	COIL 200v/50Hz	#6613
4	ARMATURE	#6614
5	ARMATURE SPRING	#6615
6	FAN NOZZLE	#EX4
7	VALVE COMPLETE	#6617
8	SUCTION TUBE COMPLETE	#6618
9	CONTAINER	#6619-20
9A	CONTAINER LID SET	
10	MOTOR MOUNT	#6621
11	PISTON SPRING	#6622
12	PISTON	#6623

POSITION	DESCRIPTION	PART#
13	SWITCH	#6624
14	HANDLE	#6625
15	SCREW	#6626
16	ADJUSTMENT SPRING	#6627
17	RUBBER BUFFER	#6628
18	ADJUSTMENT KNOB	#6629
19	END CAP	#6630
20	HOOD	#6631
21	SCREW	#6632
22	SWIRL HEAD	#6633
23	FLEX EXTENSION	#6634
25	POWER LEAD	#6636
26	CONNECTOR	#6637